

# Two Electrode 4532 Surface Mount Gas Tube Arrester

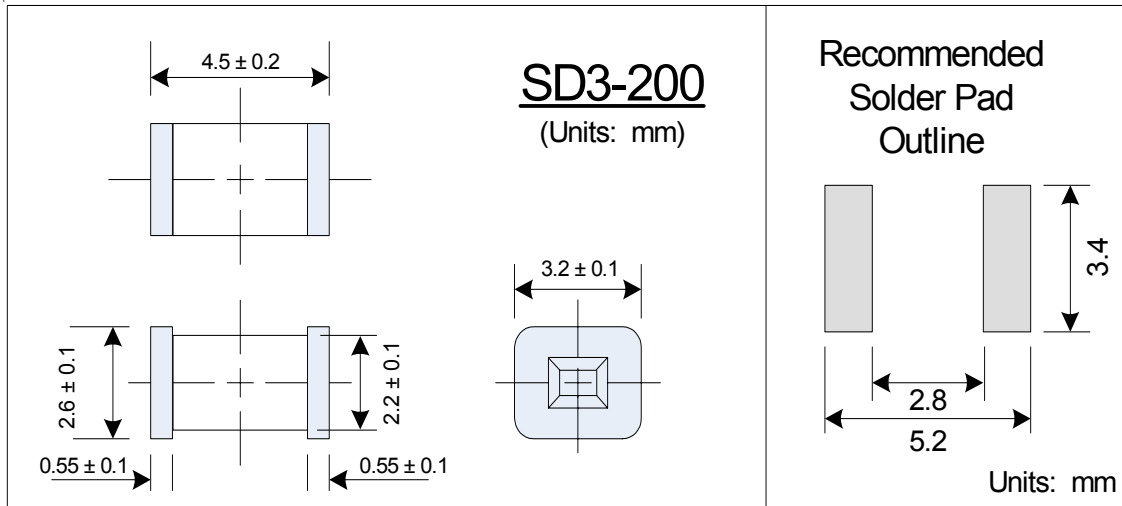


Part No.: **SD3-200**



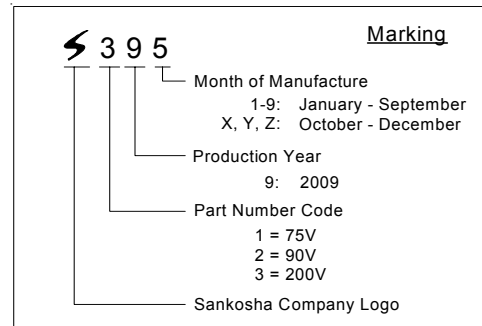
Surface Mount  
Low Capacitance  
UL497B Recognized

4.5 x 2.6 mm (4532) Footprint  
ISO Certified  
UL File E140906



## Applications:

Transient Voltage Surge Suppression  
Cable Telephony Products  
Modems/Cable Modems  
Broadband/CATV/Coaxial Protectors  
xDSL Modems and Peripherals  
Building Entry/Outside Plant



## Electrical Characteristics

1.	DC Breakdown Voltage	100 V/ sec	200V $\pm$ 20%		
2.	Impulse Breakdown Voltage	100 V/ $\mu$ sec 1 kV/ $\mu$ sec	< 500V < 700V		
3.	Insulation Resistance	DC 100V	> 10,000 M-ohm		
4.	Capacitance	1 MHz	< 0.5 pF		
5.	DC Holdover Voltage	See Note	< 135V	Note: Measured in accordance with ITU-T K.12.	
6.	Impulse Life	8/20 $\mu$ sec	100A	> 1000 times	
7.	Impulse Discharge Current	8/20 $\mu$ sec	2 kA		

## After Life Tests

8.	DC Breakdown Voltage	100 V/ sec	200 $\pm$ 30%		
9.	Impulse Breakdown Voltage	100 V/ $\mu$ sec 1 kV/ $\mu$ sec	< 600V < 800V		
10.	Insulation Resistance	DC 100V	> 100 M-ohm		

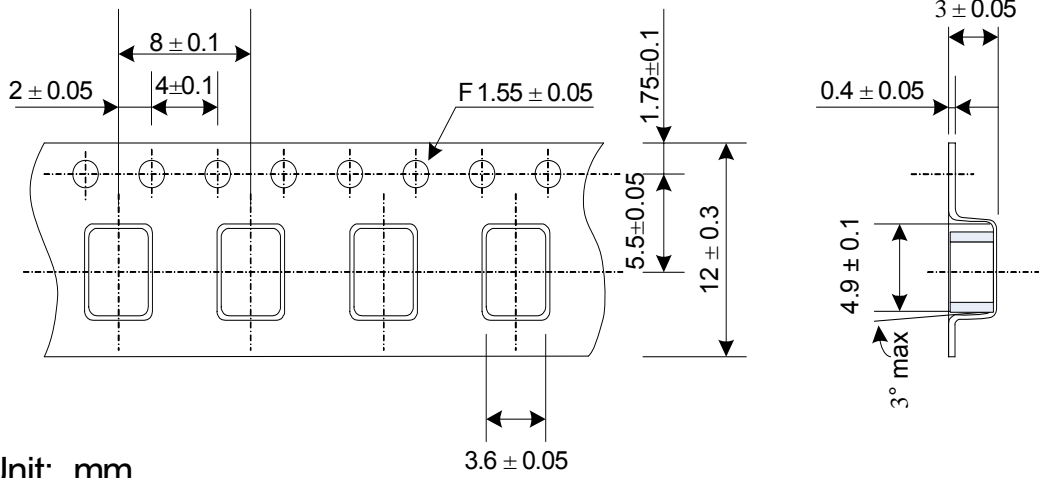
SANKOSHA

SANKOSHA

# SD3 Series Tape Dimensions

Standard Quantity: 2,500 pcs.

(EIA Standard Compliant)

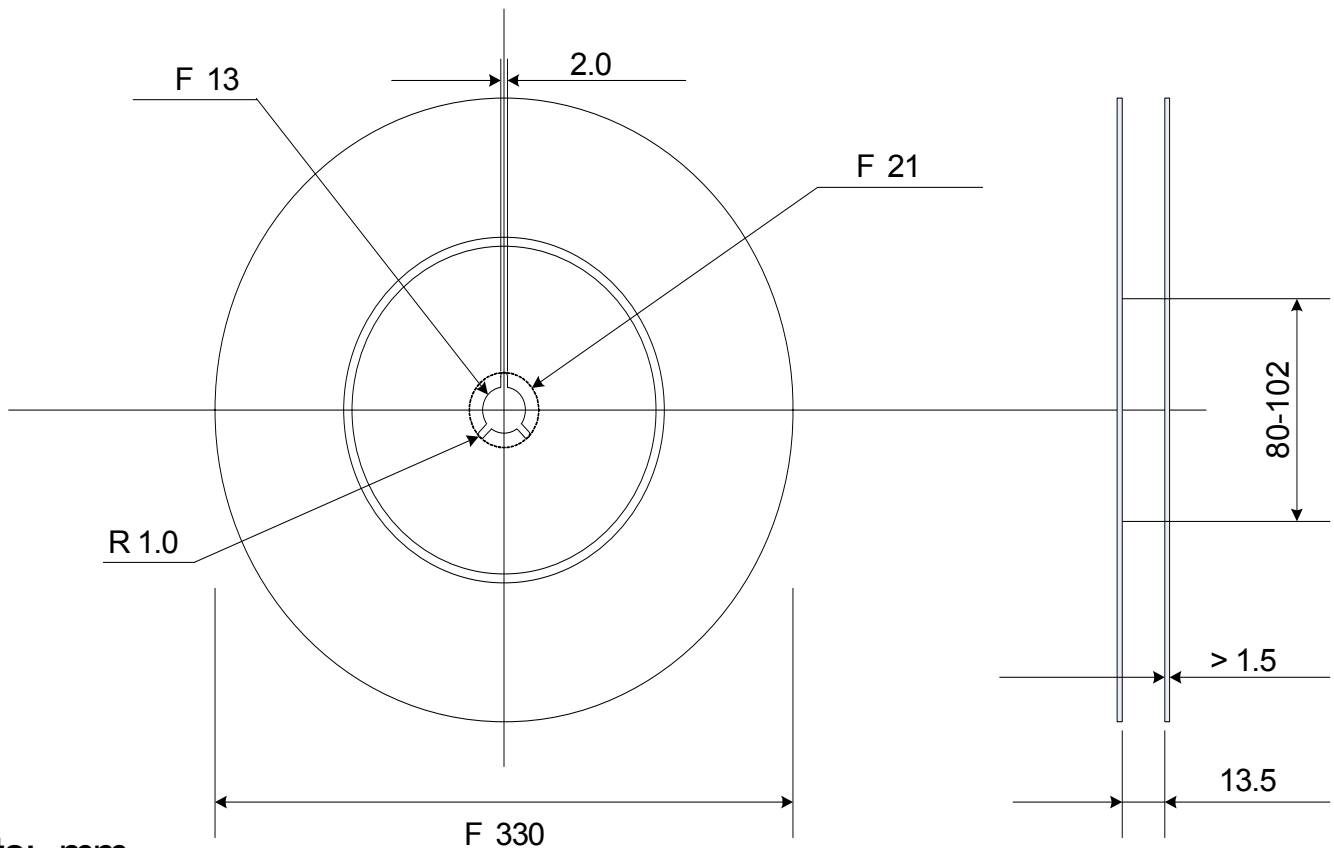


Unit: mm

# SD3 Series – Reel Dimensions

2,500 pcs. per reel

Sankosha U.S.A., Inc.  
[www.sankosha-usa.com](http://www.sankosha-usa.com)  
(888) 711-2436



Units: mm